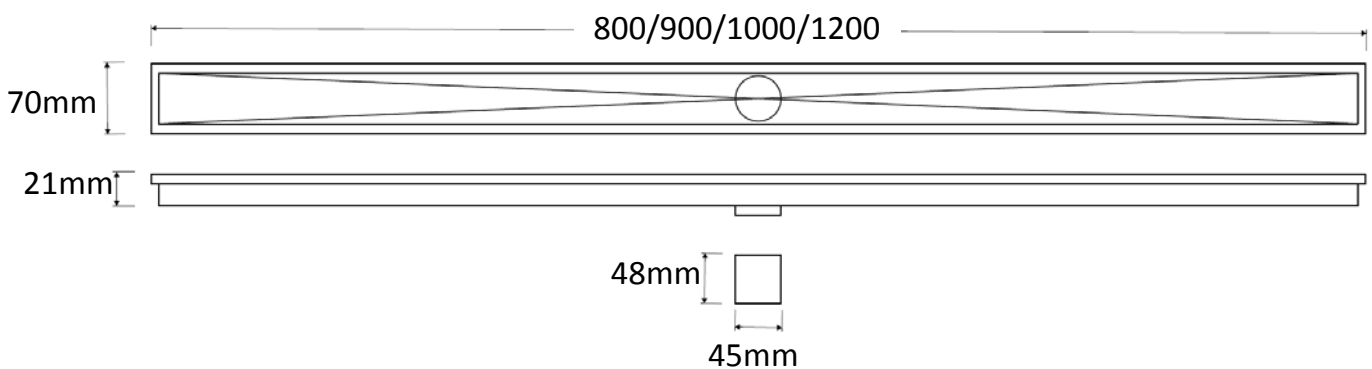


Channel waste SOLID – BRUSH INSERT

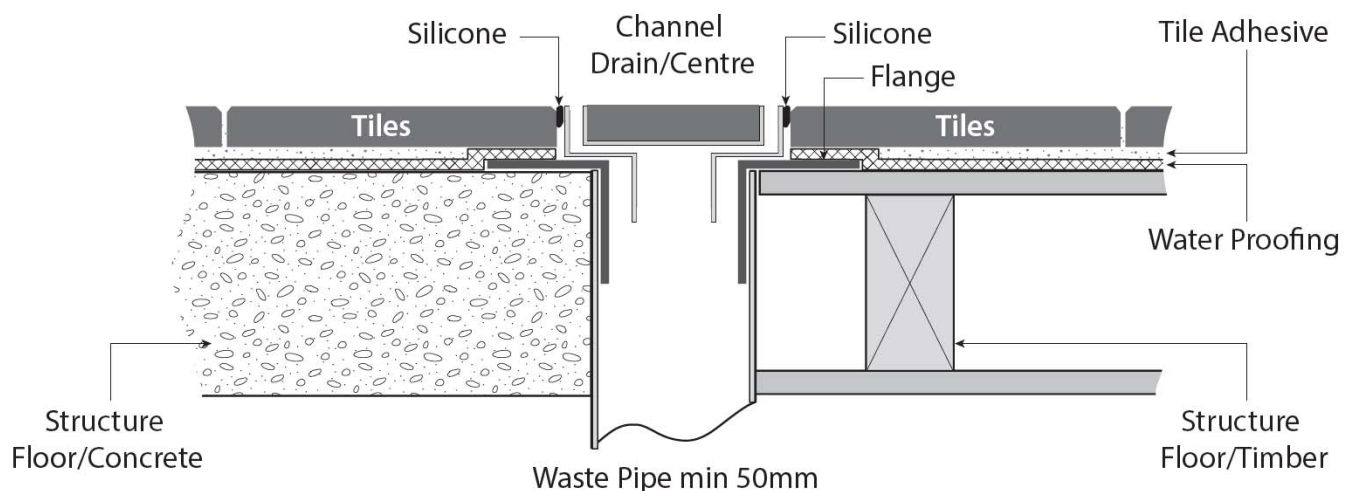
Product Code: FD80S / FD90S / FD100S / FD120S

800/900/1000/1200 (l) x 70(w) x 21(d) mm ϕ 45mm

Features: Superior fall/centre outlet • 316 grade stainless steel • Manufactured from high-quality maintenance-free materials



Installation Diagram



Additional Information

- 5 year warranty